

## SECTION 2 INSTALLATION

### 2.1 Preparing for Installation

The purchased product may not include all hardware options referred in this document. This situation does not constitute an impediment to the electrical installation.



Assembly and related connections of the product, must be implemented by authorized persons in accordance with the instructions of user manual.



The device must not be put into service if the operator is not sure that all connections are correctly accomplished.

### 2.2 Mounting

POWYS 10xx and POWYS 11xx are replaced onto 35mm standart rail.



Before wiring up voltage and current ends to POWYS, you must be sure that the power is cut.



The product is connected to current transformer(s). Before disconnecting current transformer leads, be sure that they are short circuited elsewhere or connected to a parallel load which has sufficiently low impedance. Otherwise dangerously high voltages will be induced at the current transformer leads. Same phenomena also apply for putting into service.

### 2.3 Connection Diagrams

#### 2.3.1 Connections

POWYS 10xx and POWYS 11xx are replaced onto 35mm standart rail.

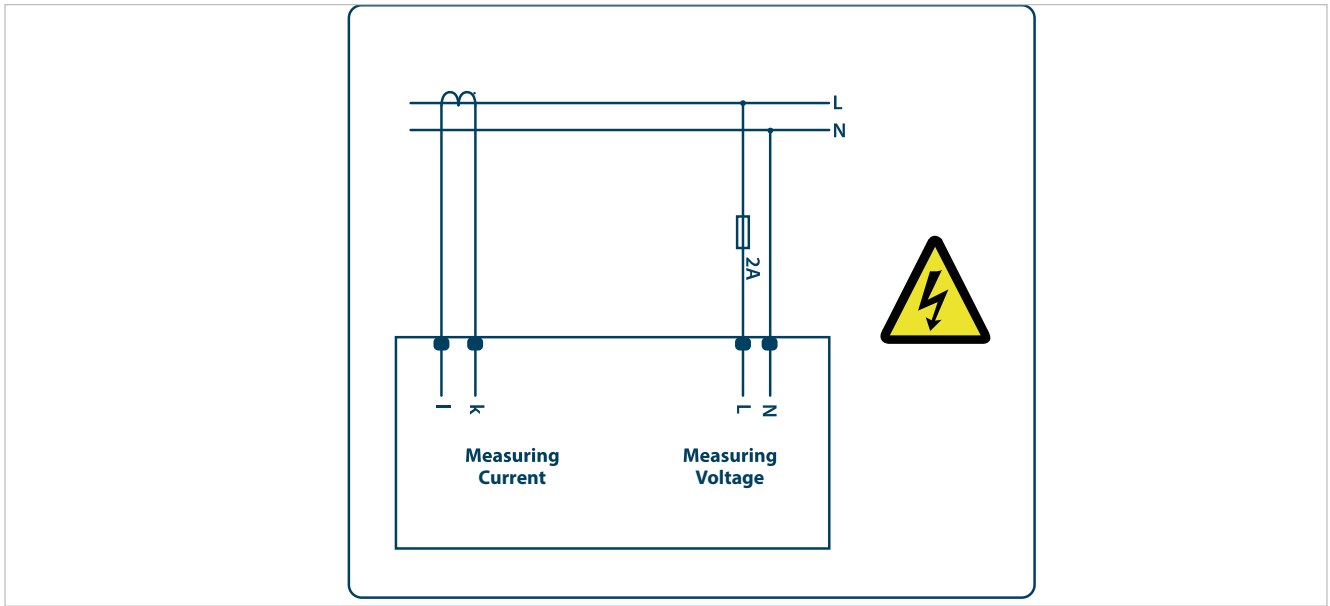


Fig. 2-1 Connection Diagram

### 2.3.2 Digital Output Connection Diagram

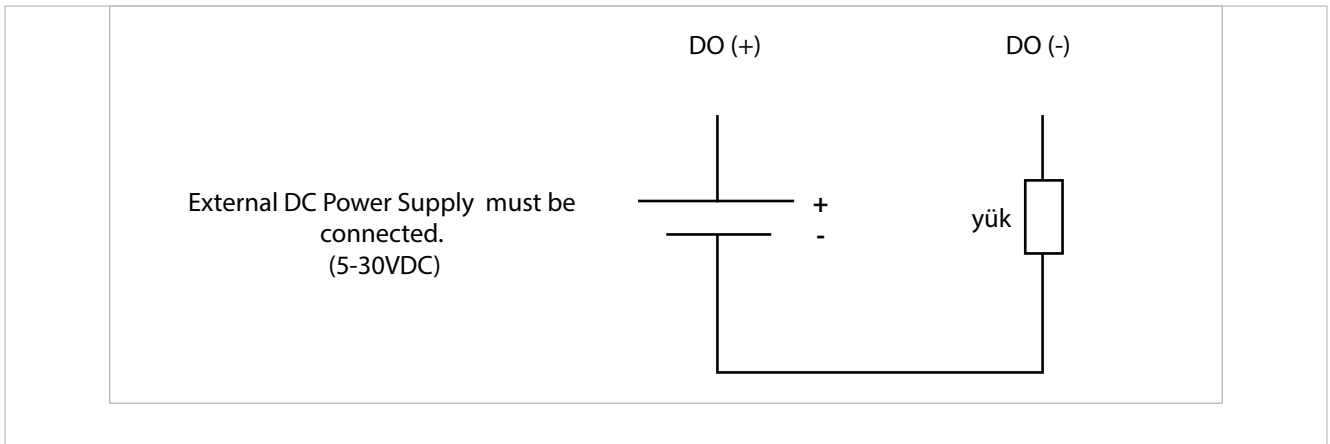


Fig. 2-2 Digital Output Connection Diagram ( POWYS 10xx)

2.4 Dimensions (mm)

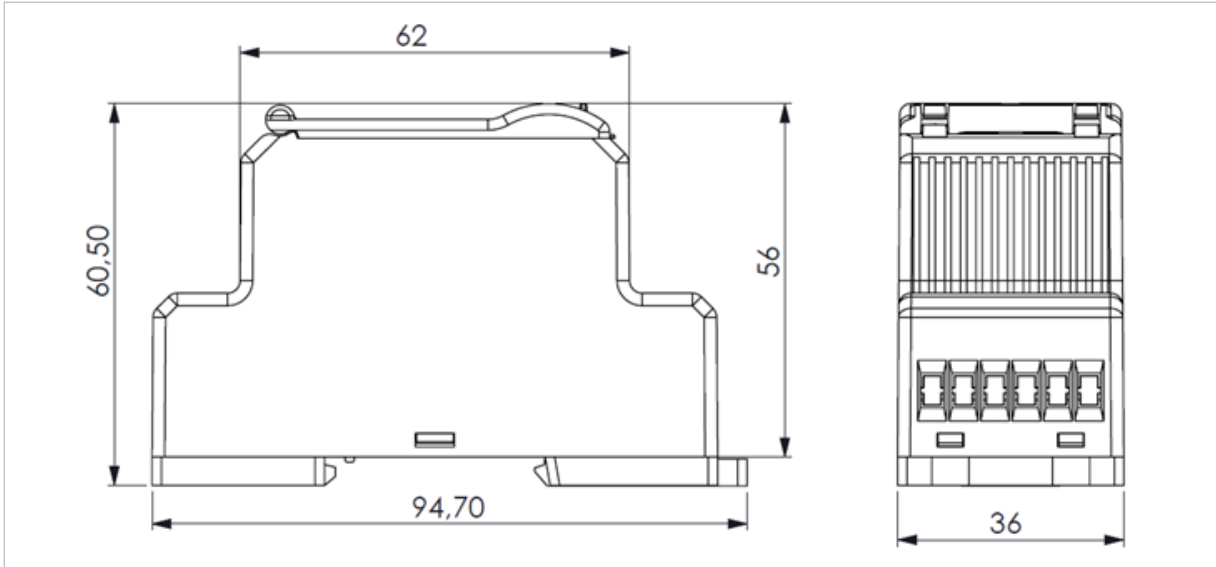


Fig. 2-3 Dimensions